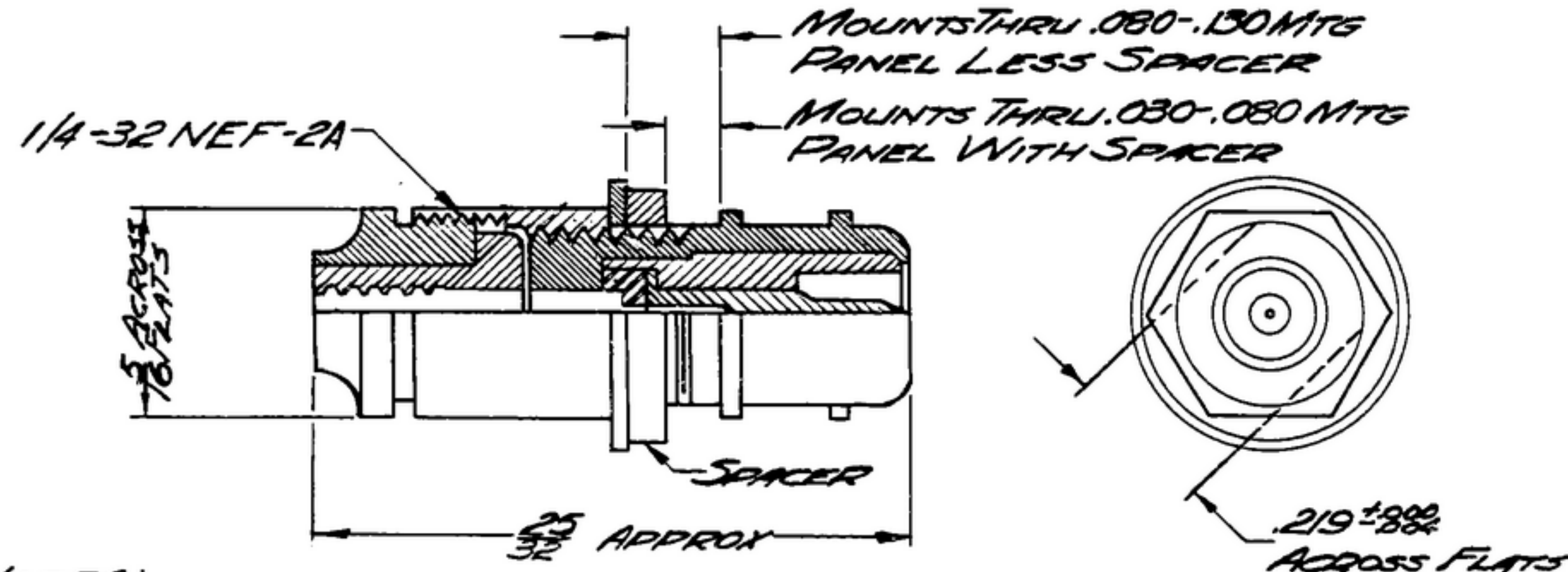


NOTICE: WHEN GOVERNMENT DRAWINGS, SPECIFICATIONS, OR OTHER DATA ARE USED FOR ANY PURPOSE OTHER THAN IN CONNECTION WITH A DEFINITELY RELATED GOVERNMENT PROCUREMENT OPERATION, THE UNITED STATES GOVERNMENT THEREBY INCURS NO RESPONSIBILITY NOR ANY OBLIGATION WHATSOEVER; AND THE FACT THAT THE GOVERNMENT MAY HAVE FORMULATED, FURNISHED, OR IN ANY WAY SUPPLIED THE SAID DRAWINGS, SPECIFICATIONS, OR OTHER DATA IS NOT TO BE REGARDED BY IMPLICATION OR OTHERWISE AS IN ANY MANNER LICENSING THE HOLDER OR ANY OTHER PERSON OR CORPORATION, OR CONVEYING ANY RIGHTS OR PERMISSION TO MANUFACTURE, USE, OR SELL ANY PATENTED INVENTION THAT MAY IN ANY WAY BE RELATED THERETO.

THIS DOCUMENT HAS BEEN PURCHASED BY THE GOVERNMENT AND MAY BE REPRODUCED AND USED IN CONNECTION WITH ANY GOVERNMENT PROCUREMENT OR MAINTENANCE OPERATION.

\*FOR INFORMATION ONLY. CONTRACTOR MAY AT HIS OPTION DEVIATE FROM THESE PROCESS DETAILS.

REVISIONS			
SYM	DESCRIPTION	DATE	APPROVAL



NOTES:  
 1. PART MAY BE NO. 46225 AS SUPPLIED BY INDUSTRIAL PRODUCTS CO, PHILADELPHIA, PA, OR EQUAL, PROVIDING IT MEETS THE FOLLOWING REQUIREMENTS AND DIMENSIONS SHOWN.

DESCRIPTION: MINIATURE, BAYONET LOCK, R.F. PANEL JACK FOR USE WITH MINIATURE 70 OHM COAXIAL CABLE.  
 INSULATION: POLYTETRAFLUOROETHYLENE  
 VOLTAGE RATING: 500 VOLTS RMS MAXIMUM.  
 FINISH: M351 PER SPEC MIL-F-14072.

COLLINS PART NO.	ITEM	REQD	PART NO.	DESCRIPTION	QTY	DATE SPEC
LIST OF MATERIAL						COLLINS PART NO. <i>559-6283-002</i>

DRAWN <i>JENNETT</i>			CHECKED <i>[Signature]</i>			APPROVED			COLLINS RADIO CO. <del>6283-002</del> <i>14214-PH-51-93</i>			DEPARTMENT OF THE ARMY SIGNAL CORPS ENGINEERING LABORATORIES FORT MONMOUTH NEW JERSEY					
UNLESS OTHERWISE SPECIFIED: DECIMAL DIMENSIONS INCLUDING HOLE SIZES MAY VARY ±.005 FRACTIONAL DIMENSIONS INCLUDING HOLE SIZES MAY VARY ±1/64 MACHINED ANGLES MAY VARY ±.1° SHEARED ANGLES MAY VARY ±.25° BROKEN ANGLES MAY VARY ±.1° ECCENTRICITY BETWEEN ANY DIAMETERS ON THE SAME CENTERLINE SHALL NOT EXCEED .010 TOTAL INDICATOR READING. ALL DIMENSIONS ARE FINISH DIMENSIONS INCLUDING APPLIED FINISH AND ARE GIVEN IN INCHES.									REVIEWED <i>PME</i>						<b>CONNECTOR - PANEL JACK</b>		
559-6452-005-2			SME-249101			SDDL-248715			APPROVED <i>HLV PME</i>								
COLLINS NO. <i>559-6452-005-2</i>			NEXT ASSY			USED ON			DATE <i>13 JAN 56</i>			SCALE <i>4/1</i>			<b>SM-B-283182</b>		
APPLICATION																	